

# TWIN TUBE & SIXTUBE SERIES CONNECTOR



## Twin Tube Specifications

### PRESSURE:

Vacuum to 120 psi, 8.3 bar per line

### TEMPERATURE:

-40°F to 180°F (-40°C to 82°C)

### MATERIALS:

Main components: Acetal, ABS

Valves: Acetal

Thumb latch: Stainless steel

External springs and pin: Stainless steel

O-rings: Buna-N

**COLOR:** Natural white with aqua latch

### TUBING SIZES:

1/16" to 1/8" ID, 1.6mm to 3.2mm ID

## Sixtube Specifications

### PRESSURE:

Vacuum to 100 psi, 6.9 bar per line

### TEMPERATURE:

Acetal fitting inserts:  
-40°F to 180°F (-40°C to 82°C)

Polypropylene fitting inserts:  
32°F to 180°F (0°C to 82°C)

### MATERIALS:

Main components: Acetal

Valves: Acetal

Fitting inserts: Acetal, polypropylene

Thumb latch: Acetal

Valve spring: 316 stainless steel

O-rings: Buna-N with acetal or EPDM with polypropylene

**COLOR:** Natural white

### TUBING SIZES:

1/16" to 1/8" ID, 1.6mm to 3.2mm ID

**NOTE:** Caution must be observed when ordering Sixtube assemblies. Body and insert halves which both contain female or male fittings will not couple. Contact CPC for questions and ordering assistance.

**The Twin Tube™ coupling** provides one easy-to-use quick disconnect for two separate fluid lines. The non-valved Twin Tube maintains two individual flow paths in one coupling. Featuring the CPC thumb latch, the Twin Tube can disconnect two lines with the push of a button. The panel mount design keeps a low profile on the front of the equipment panel.

**The Sixtube™ coupling** provides one easy-to-use quick disconnect for up to six separate fluid lines. The Sixtube is available with valves on either side for maximum design flexibility. Featuring the CPC thumb latch, the Sixtube can disconnect up to six lines with the push of a button. The snap-in panel mount design keeps a low profile on the front of the equipment panel.

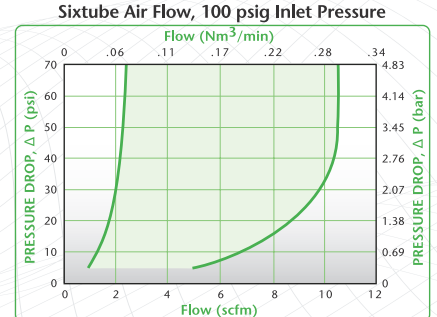
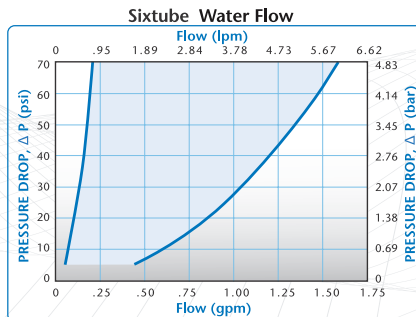
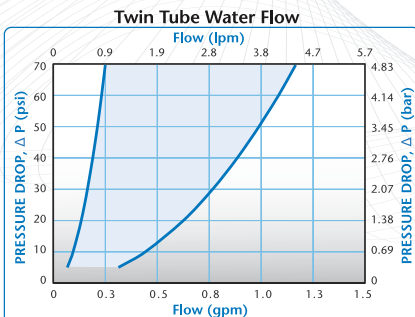
## FEATURES

- Two/six line connection
- Separate flow paths
- Sixtube insert is keyed to body
- Free coupling rotation (Twin Tube)
- CPC thumb latch

## BENEFITS

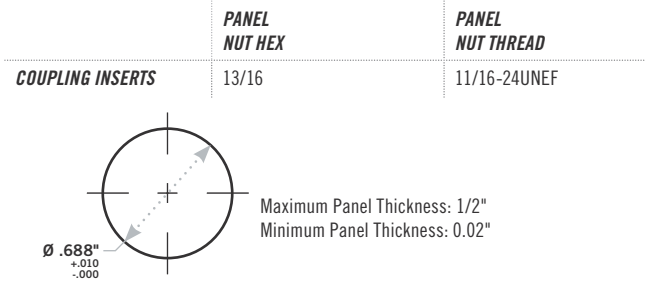
- Fast, efficient operation
- Pressure and/or vacuum in one coupling
- Ensures correct line orientation
- Eliminates kinked tubing
- One-hand connection and disconnection

✓ These graphs are intended to give you a general idea of the performance capabilities of each product line. The shaded area of each graph represents the operating range of the product family, i.e., upper and lower values are shown. Therefore, depending on the exact coupling configurations selected, you can reasonably expect values to fall within the shaded area.

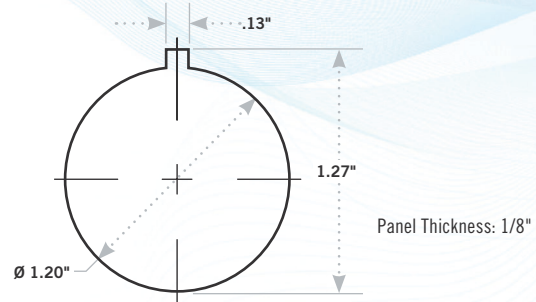


# TWINTUBE & SIXTUBE DIMENSIONS

## Twin Tube™ Body Panel Mount Dimensions



## Sixtube™ Insert Panel Mount Dimensions



## Twintube Coupling Bodies • ACETAL/ABS



TERMINATION  
PANEL MOUNT  
HOSE BARB

TUBING SIZE  
1/16" ID  
1/8" ID

METRIC EQ.  
1.6mm ID  
3.2mm ID

ACETAL  
STRAIGHT THRU  
PTC16010  
PTC16020

ABS  
STRAIGHT THRU  
PTC1602096

## Twintube Coupling Inserts • ACETAL/ABS



TERMINATION  
IN-LINE  
HOSE BARB

TUBING SIZE  
1/16" ID  
1/8" ID

METRIC EQ.  
1.6mm ID  
3.2mm ID

ACETAL  
STRAIGHT THRU  
PTC22010  
PTC22020

ABS  
STRAIGHT THRU  
PTC2202096

## Sixtube Coupling Bodies • ACETAL/POLYPROPYLENE



TERMINATION  
WITH MALE FITTING  
INSERTS

TUBING SIZE  
1/16" ID  
1/8" ID

METRIC EQ.  
1.6mm ID  
3.0mm ID  
3.2mm ID

ACETAL  
STRAIGHT THRU  
SXM1701  
SXM17M3  
SXM1702

ACETAL  
SHUTOFF

POLYPROPYLENE  
STRAIGHT THRU  
SXM170112

WITH FEMALE  
FITTING BODIES

1/16" ID  
1/8" ID

1.6mm ID  
3.0mm ID  
3.2mm ID

SXF1701  
SXF17M3  
SXF1702

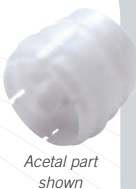
SXFD1701  
SXFD17M3  
SXFD1702

SXF170112  
SXF170212

WITHOUT FITTINGS

SX17

## Sixtube Coupling Inserts • ACETAL/POLYPROPYLENE



TERMINATION  
WITH MALE FITTING  
INSERTS

TUBING SIZE  
1/16" ID  
1/8" ID

METRIC EQ.  
1.6mm ID  
3.0mm ID  
3.2mm ID

ACETAL  
STRAIGHT THRU  
SXM4201  
SXM42M3  
SXM4202

ACETAL  
SHUTOFF

POLYPROPYLENE  
STRAIGHT THRU  
SXM420112

WITH FEMALE  
FITTING BODIES

1/16" ID  
1/8" ID

1.6mm ID  
3.0mm ID  
3.2mm ID

SXF4201  
SXF42M3  
SXF4202

SXFD4201  
SXFD42M3  
SXFD4202

SXF420112  
SXF420212

WITHOUT FITTINGS

SX42

## Accessories

DESCRIPTION  
SIXTUBE PRESSURE PLUGS

PART NO.  
TMPMWH