

PLC12 SERIES CONNECTOR



The 1/4" flow polypropylene PLC12 offers many of the same configuration options as the PLC. The polypropylene material adds greater chemical resistance for more demanding applications. PLC12 couplings are also gamma sterilizable. PLC12 couplings are also gamma sterilizable and available with optional RFID (Radio Frequency Identification) capability (see page 96).

FEATURES

- Polypropylene material
- EPDM o-rings
- CPC thumb latch
- Integral terminations

BENEFITS

- Chemically resistant and gamma sterilizable
- Greater chemical resistance
- One-hand connection and disconnection
- Fewer leak points, shorter assemblies, faster installations

Specifications

PRESSURE:

Vacuum to 120 psi, 8.3 bar

TEMPERATURE:

32°F to 160°F (0°C to 71°C)

MATERIALS:

Main components and valves: Polypropylene

Thumb latch: Stainless steel

Valve spring: 316 stainless steel

External springs and pin: Stainless steel

O-rings: EPDM

STERILIZATION:

Gamma: Up to 50 kGy irradiation

COLOR:

Almond

TUBING SIZES:

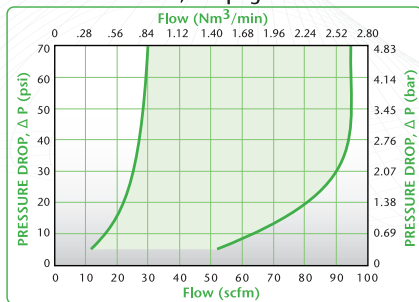
1/4" to 3/8" ID, 6.4mm to 9.5mm ID

WARNING: Pressure, temperature, chemicals, and operating environment can affect the performance of couplings. It is the customer's responsibility to test the suitability of CPC's products in their own application conditions. Use the graph at the right as a guide.

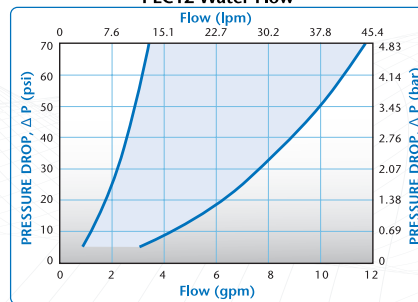
PLC12 Couplings are gamma sterilizable; see page 162 for more information on sterilization and disinfection

These graphs are intended to give you a general idea of the performance capabilities of each product line. The shaded area of each graph represents the operating range of the product family, i.e., upper and lower values are shown. Therefore, depending on the exact coupling configurations selected, you can reasonably expect values to fall within the shaded area.

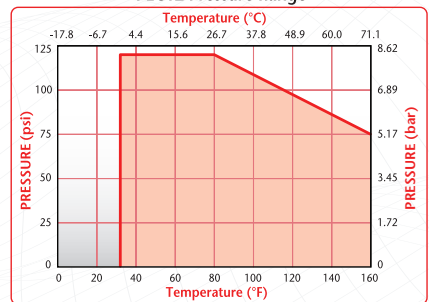
PLC12 Air Flow, 100 psig Inlet Pressure



PLC12 Water Flow



PLC12 Pressure Range



Liquid Flow Rate Information for Couplings

The chart below shows the flow rate for CPC couplings. Each coupling was tested with water at 70°F (21°C). To determine flow rates for specific coupling configurations use the formula at the right.

$$Q = C_v \sqrt{\frac{\Delta P}{S}}$$

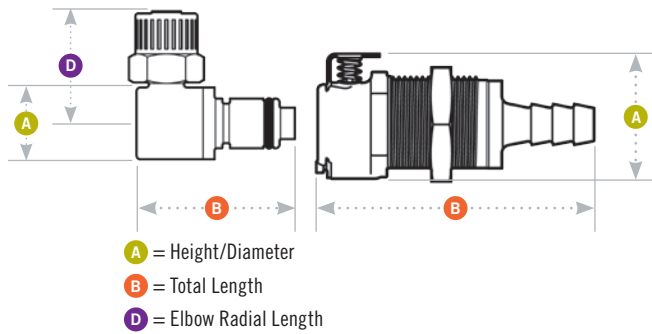
- Q = Flow rate in gallons per minute
- C_v = Average coefficient across various flow rates (see chart)
- ΔP = Pressure drop across coupling (psi)
- S = Specific gravity of liquid

C_v VALUES FOR 1/4" FLOW PLC12 COUPLINGS

BODIES	INSERTS													
	PLC 2000412	PLCD 2000412	PLC 2000612	PLCD 2000612	PLC 2200412	PLCD 2200412	PLC 2200612	PLCD 2200612	PLC 2400412	PLCD 2400412	PLC 2400612	PLCD 2400612	PLC 2600412	PLC 2600612
PLC1000412	.40	.36	1.05	.58	.83	.56	1.40	.82	1.40	.75	1.40	.77	.83	.83
PLCD1000412	.36	.31	.73	.48	.66	.41	.82	.50	.80	.45	.77	.45	.81	.81
PLC1000612	.40	.36	1.05	.60	.83	.56	1.40	.81	1.40	.76	1.40	.76	.83	.83
PLCD1000612	.37	.31	.81	.47	.70	.43	1.02	.51	.98	.46	.99	.48	.98	.98
PLC1200612	.38	.36	.84	.63	.74	.56	1.14	.75	1.14	.70	1.14	.72	.74	.74
PLCD1200612	.38	.33	.78	.49	.68	.44	.84	.49	.81	.43	.82	.44	.81	.81
PLC1600412	.38	.37	.87	.54	.95	.51	1.00	.70	.95	.64	1.00	.66	.95	.95
PLCD1600412	.37	.31	.61	.44	.57	.41	.78	.44	.78	.43	.75	.46	.78	.78
PLC1600612	.38	.37	1.00	.57	.95	.53	1.40	.80	1.40	.71	1.40	.73	1.40	1.40
PLCD1600612	.38	.32	.71	.49	.63	.42	.89	.51	.96	.45	.92	.49	.97	.97

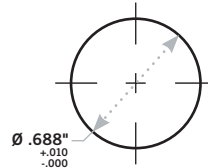
NOTES:

PLC12 DIMENSIONS



Panel Dimensions

	PANEL OPENING	PANEL THICKNESS MAX.-MIN.	PANEL NUT HEX	PANEL NUT THREAD
COUPLING BODIES	see drawing	.30 - .02	13/16	11/16-24UNEF
COUPLING INSERTS	see drawing	.30 - .02	13/16	11/16-24UNEF



Coupling Bodies • POLYPROPYLENE



TERMINATION IN-LINE PIPE THREAD

TUBING/THREAD SIZE METRIC EQ.

1/4" NPT
1/4" BSPT
3/8" NPT
3/8" BSPT

STRAIGHT THRU

PLC1000412
PLC1000412BSPT
PLC1000612
PLC1000612BSPT

SHUTOFF

PLCD1000412
PLCD1000412BSPT
PLCD1000612
PLCD1000612BSPT

A	B
1.00	1.15
1.00	1.15
1.00	1.15
1.00	1.15

PANEL MOUNT FERRULELESS POLYTUBE FITTING, PTF†

3/8" OD, 1/4" ID 9.5mm OD, 6.4mm ID

PLC1200612

PLCD1200612

A	B
1.00	1.95

PANEL MOUNT HOSE BARB

1/4" ID 6.4mm ID
3/8" ID 9.5mm ID

PLC1600412
PLC1600612

PLCD1600412
PLCD1600612

A	B
1.00	1.95
1.00	1.95

IN-LINE FERRULELESS POLYTUBE FITTING, PTF†

3/8" OD, 1/4" ID 9.5mm OD, 6.4mm ID

PLC1300612

PLCD1300612

A	B
1.02	1.96

IN-LINE HOSE BARB

1/4" ID 6.4mm ID
3/8" ID 9.5mm ID

PLC1700412
PLC1700612

PLCD1700412
PLCD1700612

A	B
1.02	1.96
1.02	1.96

IN-LINE SOFTUBE™ FITTING

3/8" OD, 1/4" ID 9.5mm OD, 6.4mm ID
1/2" OD, 3/8" ID 12.7mm OD, 9.5mm ID

PLCD17040612
PLCD17060812

A	B
1.02	2.20
1.02	2.36

PLC12 Coupling Readers • POLYPROPYLENE



TERMINATION IN-LINE HOSE BARB (RS-232 Interface)

TUBING/THREAD SIZE METRIC EQ.
1/4" ID 6.4mm ID
3/8" ID 9.5mm ID

STRAIGHT THRU

SHUTOFF
iPLCDR1700400
iPLCDR1700600

A	B
1.39	2.78
1.39	2.78

IN-LINE HOSE BARB (USB Interface)

1/4" ID 6.4mm ID
3/8" ID 9.5mm ID

iPLCDR1700401
iPLCDR1700601

A	B
1.00	1.38/2.05
1.05	1.74/1.87

All measurements are in inches (millimeters) unless otherwise noted. Tubing must meet stated inside and outside diameters.
†NOTE: CPC's Ferruleless Polytube Fitting terminations do not require ferrules to achieve a secure connection, which makes them easier to use and reuse. PTF fittings are designed for semi-rigid tubing, i.e., polyethylene, nylon, polyurethane, etc. NOTE: JG is a registered trademark of John Guest USA, Inc.

Coupling Inserts • POLYPROPYLENE



**TERMINATION
IN-LINE
PIPE THREAD**

**PANEL MOUNT
HOSE BARB**

**IN-LINE
FERRULELESS
POLYTUBE FITTING,
PTF†**

**IN-LINE
HOSE BARB**

**IN-LINE
SOFTUBE™ FITTING**

**ELBOW
FERRULELESS
POLYTUBE FITTING,
PTF†**

**ELBOW
HOSE BARB**

**IN-LINE
HOSE BARB
(RS-232 Interface)**

**ELBOW
HOSE BARB
(RS-232 Interface)**

TUBING/THREAD SIZE	METRIC EQ.	STRAIGHT THRU	SHUTOFF	A	B	D
1/4" NPT		PLC2400412	PLCD2400412	.72	1.26/1.67	
1/4" ID	6.4mm ID	PLC4200412	PLCD4200412	.94	1.91/2.05	
3/8" ID	9.5mm ID	PLC4200612	PLCD4200612	.94	1.91/2.05	
3/8" OD, 1/4" ID	9.5mm OD, 6.4mm ID	PLC2000612	PLCD2000612	.72	1.68/1.82	
1/4" ID	6.4mm ID	PLC2200412	PLCD2200412	.63	1.35/2.00	
3/8" ID	9.5mm ID	PLC2200612	PLCD2200612	.63	1.35/1.82	
3/8" OD, 1/4" ID	9.5mm OD, 6.4mm ID		PLCD22040612	.72	2.23	
1/2" OD, 3/8" ID	12.7mm OD, 9.5mm ID		PLCD22060812	.72	2.18	
3/8" OD, 1/4" ID	9.5mm OD, 6.4mm ID	PLC2100612	PLCD2100612	.61/.62	1.29/1.36	.95
1/4" ID	6.4mm ID	PLC2300412	PLCD2300412	.63	1.22/1.36	.96
3/8" ID	9.5mm ID	PLC2300612	PLCD2300612	.63	1.28/1.42	.96
1/4" ID	6.4mm ID	iPLCT2200400	iPLCDT2200400	1.39	2.78	
3/8" ID	9.5mm ID	iPLCT2200600	iPLCDT2200600	1.39	2.78	
1/4" ID	6.4mm ID	iPLCT2300400	iPLCDT2300400	1.48	1.27/1.40	
3/8" ID	9.5mm ID	iPLCT2300600	iPLCDT2300600	1.48	1.33/1.46	

All measurements are in inches (millimeters) unless otherwise noted. Tubing must meet stated inside and outside diameters. Couplings are pictured with valves unless otherwise noted.

†NOTE: CPC's Ferruleless Polytube Fitting terminations do not require ferrules to achieve a secure connection, which makes them easier to use and reuse. PTF fittings are designed for semi-rigid tubing, i.e., polyethylene, nylon, polyurethane, etc. NOTE: JG is a registered trademark of John Guest USA, Inc.

Smart fluid handling to take you forward, faster.

COPYRIGHT © 2020 COLDER PRODUCTS COMPANY. All rights reserved. Colder Products Company, Colder Products and CPC are all registered trademarks with the US Patent & Trademark Office.



Distributed by:



Infiltec GmbH
Alte Rheinhäuser Str. 6-8
67346 Speyer am Rhein

Tel: +49 6232 100332 0
Fax: +49 6232 100332 42
info@infiltec.de
infiltec.de

COLDER PRODUCTS COMPANY
2820 CLEVELAND AVE. N.
ROSEVILLE, MN 55113
U.S.A.

PHONE: +1 651-645-0091
FAX: +1 651-645-5404

info@cpeworldwide.com
cpeworldwide.com

COLDER PRODUCTS COMPANY GMBH
KURHESSENSTR. 15
64546 MÖRFELDEN-WALLDORF
GERMANY

PHONE: +49-6026-9973-0

cpcgmbh@cpeworldwide.com
cpcworldwide.com

COLDER PRODUCTS COMPANY LIMITED
LEVEL 19,
TWO INTERNATIONAL FINANCE CENTRE
8 FINANCE STREET, CENTRAL, HONG KONG

PHONE: +852 2987-5272
FAX: +852-2987-2509

asiapacific@cpeworldwide.com
cpeworldwide.com



CPC WARRANTY STATEMENT: CPC (Colder Products Company) warrants its products against defects in workmanship and materials for a period of 12 months from the date of sale by CPC to its initial customer (regardless of any subsequent sale of the products). This warranty is void if the product is misused, altered, tampered with or is installed or used in a manner that is inconsistent with CPC's written recommendations, specifications and/or instructions, or fails to perform due to normal wear and tear. CPC does not warrant the suitability of the product for any particular application. Determining product application suitability is solely the customer's responsibility. CPC is not liable for special, indirect, incidental, consequential or other damages including, but not limited to, loss, damage, personal injury, or any other expense directly or indirectly arising from the use of or inability to use its products either separately or in combination with other products. **ALL OTHER WARRANTIES EXPRESS OR IMPLIED, WHETHER ORAL, WRITTEN OR IN ANY OTHER FORM, INCLUDING BUT NOT LIMITED TO WARRANTIES OF MERCHANTABILITY OR FITNESS FOR A PARTICULAR PURPOSE, ARE EXPRESSLY EXCLUDED.** The sole and exclusive remedy under this warranty is limited, at the option of CPC, to replacement of the defective product or an account credit in the amount of the original selling price. All allegedly defective CPC products must be returned prepaid transportation to CPC, together with information describing the product's application and performance, unless otherwise authorized in writing by CPC.

CPC PATENT STATEMENT: CPC takes pride in its innovative quick disconnect coupling and fittings solutions, many of which have been awarded United States and international patents. CPC has a strong tradition of

leadership in the quick disconnect market, and aggressively pursues and protects its proprietary information and intellectual property. In cases where it is practical and has a benefit to its customers, CPC has licensed its proprietary technology. Please contact CPC to discuss your unique needs.

CPC TRADEMARK STATEMENT: AseptiQuik®, BottleQuik®, BreakAway®, ChemQuik®, DrumQuik®, FitQuik®, IdentiQuik®, Nu-Seal®, SnapQuik®, Steam-Thru®, Softube® are registered trademarks with the U.S. Patent & Trademark Office. All other trademarks or service marks are property of their respective owners. **WARNING:** Due to the wide variety of possible fluid media and operating conditions, unintended consequences may result from the use of this product, all of which are beyond the control of CPC. It is the user's responsibility to carefully determine and test for compatibility for use with their application. All such risks shall be assumed by the buyer.

COPYRIGHT © 2020 COLDER PRODUCTS COMPANY. All rights reserved. Colder Products Company, Colder Products and CPC are all registered trademarks with the US Patent & Trademark Office.

WARNING: Due to the wide variety of possible fluid media and operating conditions, unintended consequences may result from the use of this product, all of which are beyond the control of CPC. It is the user's responsibility to carefully determine and test for compatibility for use with their application. All such risks shall be assumed by the buyer.

CAT2020 4/17