

HFC12 SERIES CONNECTOR



HFC12 Series couplings have flow comparable to many 1/2" flow couplings in a 3/8" body size. Compact and lightweight, HFC couplings replace bulky and heavy brass ball-and-sleeve couplings in a wide range of applications. An ergonomic design and a large, shrouded thumb latch pad produce a coupling that is easy to grip and simple to operate. An efficient valve design leads to high flow and low spillage.

FEATURES

- High efficiency valve
- Ergonomic design
- Polypropylene material
- Compatible

BENEFITS

- More flow in a compact size
- Easy to grip, simple to operate
- Chemically resistant and gamma sterilizable
- Mates with HFC35 and HFC57 couplings

Specifications ● ● ●

PRESSURE:

Vacuum to 60 psi, 4.2 bar

TEMPERATURE:

32°F to 160°F (0°C to 71°C)

MATERIALS:

- Main components and valves:** Polypropylene
- Thumb latch:** Polypropylene
- Valve spring (wetted):** 316 stainless steel
- External springs:** 316 stainless steel
- O-rings:** EPDM
- Panel mount gasket:** EPDM
- Compression nut, gripper, ferrule:** Polypropylene

COLOR: Gray with dark gray latch

TUBING SIZES:

3/8" to 3/4" ID, 9.5mm to 19.0mm ID

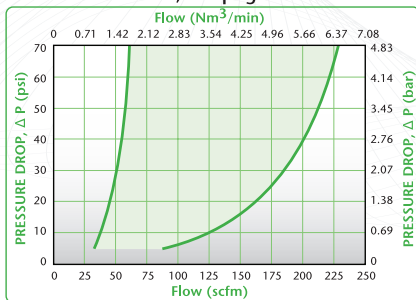
WARNING: Pressure, temperature, chemicals, and operating environment can affect the performance of couplings. It is the customer's responsibility to test the suitability of CPC's products in their own application conditions.

For compression termination specifications: 3/8" OD or 1/2" OD, +0.010/-0.000

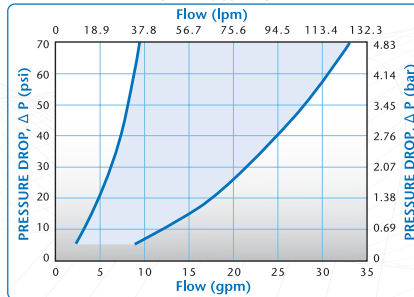
Note: Optional o-ring and spring materials are available, please contact CPC for details.

⚠ These graphs are intended to give you a general idea of the performance capabilities of each product line. The shaded area of each graph represents the operating range of the product family, i.e., upper and lower values are shown. Therefore, depending on the exact coupling configurations selected, you can reasonably expect values to fall within the shaded area.

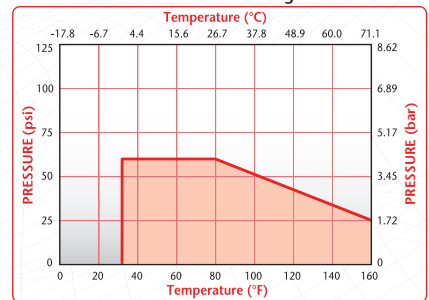
HFC12 Air Flow, 100 psig Inlet Pressure



HFC12 Water Flow



HFC12 Pressure Range



NOTES:

Liquid Flow Rate Information for Couplings

The chart below shows the flow rate for CPC couplings. Each coupling was tested with water at 70°F (21°C). To determine flow rates for specific coupling configurations use the formula at the right.

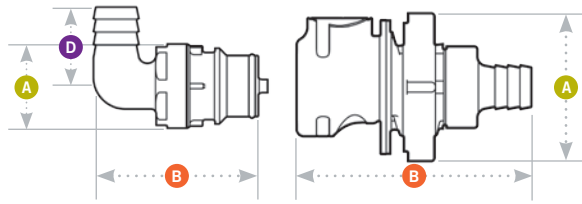
$$Q = C_v \sqrt{\frac{\Delta P}{S}}$$

- Q = Flow rate in gallons per minute
- C_v = Average coefficient across various flow rates (see chart)
- ΔP = Pressure drop across coupling (psi)
- S = Specific gravity of liquid

C_v VALUES FOR HFC12 COUPLINGS

BODIES	INSERTS														
	HFC 22612	HFC 22612	HFC 22812	HFC 22812	HFC 23612	HFC 23612	HFC 23812	HFC 23812	HFC 24612	HFC 24612	HFC 24812	HFC 24812	HFC 221212	HFC 221212	
HFC10612	1.27	1.27	1.62	1.51	1.14	1.14	1.46	1.36	1.80	1.58	1.70	1.65	-	-	
HFC10812	1.28	1.34	1.62	1.51	1.15	1.24	1.46	1.36	1.81	1.54	1.72	1.56	-	-	
HFC16612	1.07	1.00	1.17	1.14	0.96	0.90	1.05	1.03	1.33	1.26	1.30	1.24	-	-	
HFC16812	1.25	1.23	1.61	1.52	1.13	1.11	1.45	1.37	1.79	1.60	1.68	1.56	-	-	
HFC17612	1.07	1.00	1.17	1.14	0.96	0.90	1.05	1.03	1.33	1.26	1.30	1.24	-	-	
HFC17812	1.25	1.23	1.61	1.52	1.13	1.11	1.45	1.37	1.79	1.60	1.68	1.56	-	-	
HFC171212	-	-	-	-	-	-	-	-	-	-	-	-	3.94	-	
HFC171212	-	-	-	-	-	-	-	-	-	-	-	-	-	2.04	

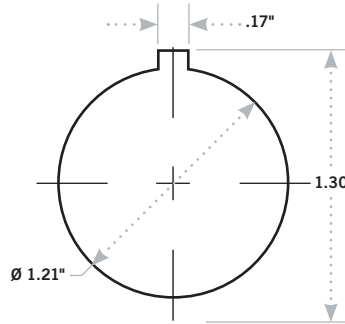
HFC12 DIMENSIONS



- A** = Height/Diameter
- B** = Total Length
- D** = Elbow Radial Length

Panel Dimensions

COUPLING BODIES	PANEL OPENING	PANEL THICKNESS MAX.-MIN.
	see drawing	.25- .03



Gasket Thickness: .06"
 Mounting Hole: 1.21" diameter
 Coupling Spacing: 1.92" minimum

Coupling Bodies • POLYPROPYLENE

TERMINATION	TUBING/THREAD SIZE	METRIC EQ.	STRAIGHT THRU	SHUTOFF	A	B
IN-LINE PIPE THREAD	3/8" NPT		HFC10612	HFCD10612	1.44	2.69
	3/8" BSPT		HFC10612BSPT	HFCD10612BSPT	1.44	2.72
	1/2" NPT		HFC10812	HFCD10812	1.44	2.88
	3/4" NPT		HFC101212	HFCD101212	1.44	3.07
BULKHEAD PANEL MOUNT HOSE BARB	3/8" ID	9.5mm ID	HFC16612	HFCD16612	1.82	2.82
	1/2" ID	12.7mm ID	HFC16812	HFCD16812	1.82	2.82
	5/8" ID	15.9mm ID	HFC161012	HFCD161012	1.82	2.94
	3/4" ID	19.0mm ID	HFC161212	HFCD161212	1.82	2.94
BULKHEAD PANEL MOUNT COMPRESSION	3/8" OD	9.5mm OD	HFC12612	HFCD12612	1.82	2.96
	1/2" OD	12.7mm OD	HFC12812	HFCD12812	1.82	3.11
IN-LINE HOSE BARB	3/8" ID	9.5mm ID	HFC17612	HFCD17612	1.44	2.79
	1/2" ID	12.7mm ID	HFC17812	HFCD17812	1.44	2.79
	5/8" ID	15.9mm ID	HFC171012	HFCD171012	1.44	2.94
	3/4" ID	19.0mm ID	HFC171212	HFCD171212	1.44	2.94
IN-LINE COMPRESSION	3/8" OD	9.5mm OD	HFC13612	HFCD13612	1.44	2.96
	1/2" OD	12.7mm OD	HFC13812	HFCD13812	1.44	3.11

All measurements are in inches (millimeters) unless otherwise noted. Tubing must meet stated inside and outside diameters.

Accessories

DESCRIPTION	MATERIAL	PART NO.
PANEL MOUNT GASKET REPLACEMENT: For sealing panel mount bodies listed above	EPDM	621200

Also available in NSF listed versions, please visit our website for part number information.



Coupling Inserts • POLYPROPYLENE



TERMINATION IN-LINE PIPE THREAD

TUBING/THREAD SIZE	METRIC EQ.
3/8" NPT	
3/8" BSPT	
1/2" NPT	
3/4" NPT	

STRAIGHT THRU
HFC24612
HFC24612BSPT
HFC24812
HFC241212

SHUTOFF
HFC24612
HFC24612BSPT
HFC24812
HFC241212

A	B	D
1.16	1.77/1.89	
1.16	1.80/1.92	
1.16	1.95/2.07	
1.23	2.14/2.26	

IN-LINE HOSE BARB (non-valved shown)

TUBING/THREAD SIZE	METRIC EQ.
3/8" ID	9.5mm ID
1/2" ID	12.7mm ID
5/8" ID	15.9mm ID
3/4" ID	19.0mm ID

STRAIGHT THRU
HFC22612
HFC22812
HFC221012
HFC221212

SHUTOFF
HFC22612
HFC22812
HFC221012
HFC221212

A	B	D
1.00	1.97/2.09	
1.00	1.97/2.09	
1.00	2.01/2.13	
1.00	2.14/2.26	

IN-LINE COMPRESSION (non-valved shown)

TUBING/THREAD SIZE	METRIC EQ.
3/8" OD	9.5mm OD
1/2" OD	12.7mm OD

STRAIGHT THRU
HFC20612
HFC20812

SHUTOFF
HFC20612
HFC20812

A	B	D
1.00	2.14/2.26	
1.00	2.29/2.41	

ELBOW HOSE BARB (non-valved shown)

TUBING/THREAD SIZE	METRIC EQ.
3/8" ID	9.5mm ID
1/2" ID	12.7mm ID
3/4" ID	19.0mm ID

STRAIGHT THRU
HFC23612
HFC23812
HFC231212

SHUTOFF
HFC23612
HFC23812
HFC231212

A	B	D
1.00	1.93/2.05	.93
1.00	1.97/2.09	.93
1.00	1.95/2.07	.93

All measurements are in inches (millimeters) unless otherwise noted. Tubing must meet stated inside and outside diameters. Couplings are pictured with valves unless otherwise noted.

DID YOU KNOW?

WHEN SELECTING A VALVED COUPLING FOR YOUR APPLICATION, make sure to order a part number with a D just before the numeric portion of the part number. For example, HFC101212 does not have a shutoff valve; HFCD101212 would be the correct part number to order for a valved coupling.

To visually identify a part to determine whether or not it is valved, disconnect the coupling body and insert, and then look through the part. If you can see light all the way through, your part is non-valved. If there is anything obstructing the light, you probably have a valved part. Please contact Customer Service at 1-800-444-2474 or 651-645-0091 if you need further assistance.

Smart fluid handling to take you forward, faster.

COPYRIGHT © 2020 COLDER PRODUCTS COMPANY. All rights reserved. Colder Products Company, Colder Products and CPC are all registered trademarks with the US Patent & Trademark Office.



Distributed by:



Infiltec GmbH
Alte Rheinhäuser Str. 6-8
67346 Speyer am Rhein

Tel: +49 6232 100332 0
Fax: +49 6232 100332 42
info@infiltec.de
infiltec.de

COLDER PRODUCTS COMPANY
2820 CLEVELAND AVE. N.
ROSEVILLE, MN 55113
U.S.A.

PHONE: +1 651-645-0091
FAX: +1 651-645-5404

info@cpeworldwide.com
cpeworldwide.com

COLDER PRODUCTS COMPANY GMBH
KURHESSENSTR. 15
64546 MÖRFELDEN-WALLDORF
GERMANY

PHONE: +49-6026-9973-0

cpcgmbh@cpeworldwide.com
cpcworldwide.com

COLDER PRODUCTS COMPANY LIMITED
LEVEL 19,
TWO INTERNATIONAL FINANCE CENTRE
8 FINANCE STREET, CENTRAL, HONG KONG

PHONE: +852 2987-5272
FAX: +852-2987-2509

asiapacific@cpeworldwide.com
cpeworldwide.com



CPC WARRANTY STATEMENT: CPC (Colder Products Company) warrants its products against defects in workmanship and materials for a period of 12 months from the date of sale by CPC to its initial customer (regardless of any subsequent sale of the products). This warranty is void if the product is misused, altered, tampered with or is installed or used in a manner that is inconsistent with CPC's written recommendations, specifications and/or instructions, or fails to perform due to normal wear and tear. CPC does not warrant the suitability of the product for any particular application. Determining product application suitability is solely the customer's responsibility. CPC is not liable for special, indirect, incidental, consequential or other damages including, but not limited to, loss, damage, personal injury, or any other expense directly or indirectly arising from the use of or inability to use its products either separately or in combination with other products. **ALL OTHER WARRANTIES EXPRESS OR IMPLIED, WHETHER ORAL, WRITTEN OR IN ANY OTHER FORM, INCLUDING BUT NOT LIMITED TO WARRANTIES OF MERCHANTABILITY OR FITNESS FOR A PARTICULAR PURPOSE, ARE EXPRESSLY EXCLUDED.** The sole and exclusive remedy under this warranty is limited, at the option of CPC, to replacement of the defective product or an account credit in the amount of the original selling price. All allegedly defective CPC products must be returned prepaid transportation to CPC, together with information describing the product's application and performance, unless otherwise authorized in writing by CPC.

CPC PATENT STATEMENT: CPC takes pride in its innovative quick disconnect coupling and fittings solutions, many of which have been awarded United States and international patents. CPC has a strong tradition of

leadership in the quick disconnect market, and aggressively pursues and protects its proprietary information and intellectual property. In cases where it is practical and has a benefit to its customers, CPC has licensed its proprietary technology. Please contact CPC to discuss your unique needs.

CPC TRADEMARK STATEMENT: AseptiQuik®, BottleQuik®, BreakAway®, ChemQuik®, DrumQuik®, FitQuik®, IdentiQuik®, Nu-Seal®, SnapQuik®, Steam-Thru®, Softube® are registered trademarks with the U.S. Patent & Trademark Office. All other trademarks or service marks are property of their respective owners. **WARNING:** Due to the wide variety of possible fluid media and operating conditions, unintended consequences may result from the use of this product, all of which are beyond the control of CPC. It is the user's responsibility to carefully determine and test for compatibility for use with their application. All such risks shall be assumed by the buyer.

COPYRIGHT © 2020 COLDER PRODUCTS COMPANY. All rights reserved. Colder Products Company, Colder Products and CPC are all registered trademarks with the US Patent & Trademark Office.

WARNING: Due to the wide variety of possible fluid media and operating conditions, unintended consequences may result from the use of this product, all of which are beyond the control of CPC. It is the user's responsibility to carefully determine and test for compatibility for use with their application. All such risks shall be assumed by the buyer.

CAT2020 4/17