

# FFC35 SERIES CONNECTOR



## Specifications ● ● ●

### PRESSURE:

Vacuum to 125 psi, 8.6 bar

### TEMPERATURE:

-40°F to 280°F (-40°C to 138°C)

### MATERIALS:

**Main components:** Polysulfone

**Thumb latch:** Polysulfone

**External spring:** 316 stainless steel

**O-rings:** FDA Buna-N

**Panel mount gasket:** EPDM

**Female GHT gasket:** FDA EPDM

### COLOR:

Natural white with dark gray latch

### TUBING SIZES: 3/4" ID, 19.0mm ID

**WARNING:** Pressure, temperature, chemicals, and operating environment can affect the performance of couplings. It is the customer's responsibility to test the suitability of CPC products in their own application conditions. Use the graphs on the following page as a guide.

**FFC35 Series 1/2" flow couplings** feature double the flow of the HFC Series couplings. The FFC Series has a non-valved bore that increases flow and minimizes turbulence. The polysulfone material is able to withstand demanding applications and features physical strength, chemical resistance and autoclavability. An ergonomic design and a large, shrouded thumb latch pad produce a coupling that is easy to grip and simple to operate.

## FEATURES

No valves

Polysulfone material

Ergonomic design

## BENEFITS

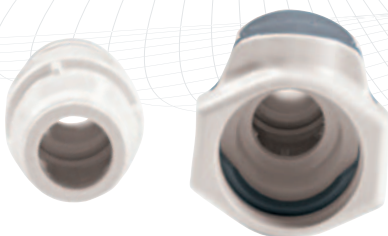
Exceptional flow

Physically strong and autoclavable

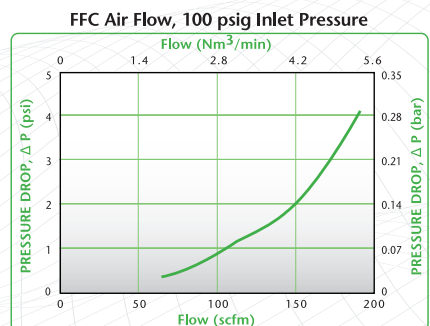
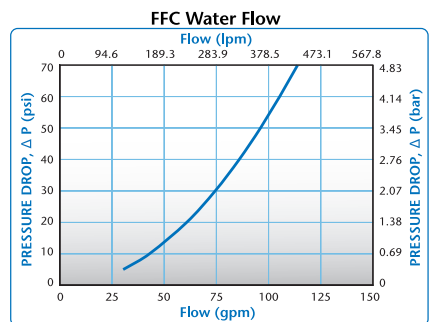
Easy to grip, simple to operate

## NON-VALVED

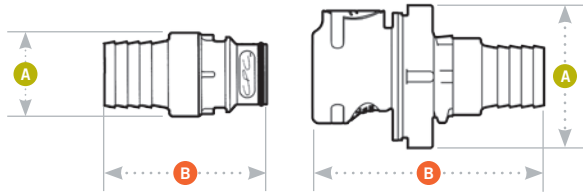
CPC's FFC35 Series couplings feature a wide open, straight-thru flow path.



⚠ These graphs are intended to give you a general idea of the performance capabilities of each product line. The shaded area of each graph represents the operating range of the product family, i.e., upper and lower values are shown. Therefore, depending on the exact coupling configurations selected, you can reasonably expect values to fall within the shaded area.

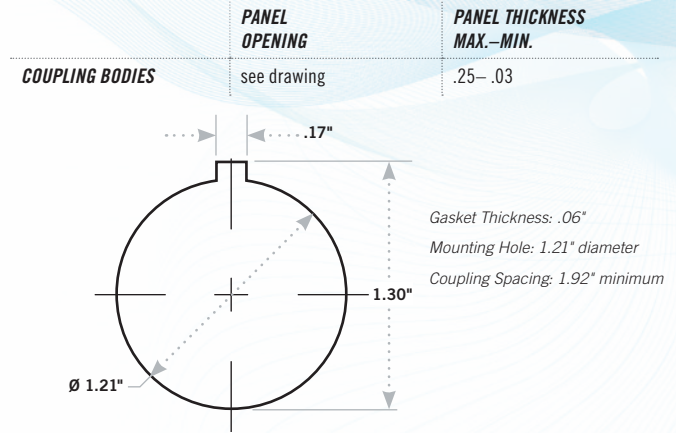


# FFC35 DIMENSIONS



**A** = Height/Diameter  
**B** = Total Length

## Panel Dimensions



## Coupling Bodies • POLYSULFONE



**TERMINATION**  
**IN-LINE**  
**PIPE THREAD**

**TUBING/THREAD SIZE**  
 1/2" NPT  
 1/2" BSPT  
 3/4" NPT  
 3/4" BSPT  
 3/4" GHT

**METRIC EQ.**

**STRAIGHT THRU**  
 FFC10835  
 FFC10835BSPT  
 FFC101235  
 FFC101235BSPT  
 FFC101235GHT

**A**

**B**

1.44 2.88  
 1.44 2.88  
 1.44 3.12  
 1.44 3.12  
 1.44 2.94

**IN-LINE**  
**PIPE THREAD**  
**(FEMALE)**

3/4" GHT  
 3/4" BSPP

FFC191235GHT  
 FFC191235BSPP

1.44

2.70

1.44 2.70

**BULKHEAD**  
**PANEL MOUNT**  
**HOSE BARB**

3/4" ID

19.0mm ID

FFC161235

1.82

2.94

**IN-LINE**  
**HOSE BARB**

3/4" ID

19.0mm ID

FFC171235

1.44

2.94

## Coupling Inserts • POLYSULFONE



**TERMINATION**  
**IN-LINE**  
**PIPE THREAD**  
 (non-valved shown)

**TUBING/THREAD SIZE**  
 1/2" NPT  
 1/2" BSPT  
 3/4" NPT  
 3/4" BSPT  
 3/4" GHT

**METRIC EQ.**

**STRAIGHT THRU**  
 FFC24835  
 FFC24835BSPT  
 FFC241235  
 FFC241235BSPT  
 FFC241235GHT

**A**

**B**

1.16 1.95  
 1.16 1.95  
 1.23 2.14  
 1.23 2.14  
 1.16 2.01

**IN-LINE**  
**PIPE THREAD**  
**(FEMALE)**  
 (non-valved shown)

3/4" GHT  
 3/4" BSPP

FFC261235GHT  
 FFC261235BSPP

1.37

1.77

1.37 1.77

**IN-LINE**  
**HOSE BARB**  
 (non-valved shown)

3/4" ID

19.0mm ID

FFC221235

1.00

2.02

All measurements are in inches (millimeters) unless otherwise noted. Tubing must meet stated inside and outside diameters. Couplings are pictured with valves unless otherwise noted.

## Accessories

DESCRIPTION	MATERIAL	PART NO.
<b>PANEL MOUNT GASKET REPLACEMENT:</b> For sealing panel mount bodies listed above	EPDM	621200
<b>GHT GASKET REPLACEMENT:</b> For sealing female threads	FDA EPDM	2339400



Distributed by:



**Infiltec GmbH**  
Alte Rheinhäuser Str. 6-8  
67346 Speyer am Rhein

Tel: +49 6232 100332 0  
Fax: +49 6232 100332 42  
info@infiltec.de  
infiltec.de

**COLDER PRODUCTS COMPANY**  
2820 CLEVELAND AVE. N.  
ROSEVILLE, MN 55113  
U.S.A.

**PHONE:** +1 651-645-0091  
**FAX:** +1 651-645-5404

info@cpeworldwide.com  
cpeworldwide.com

**COLDER PRODUCTS COMPANY GMBH**  
KURHESSENSTR. 15  
64546 MÖRFELDEN-WALLDORF  
GERMANY

**PHONE:** +49-6026-9973-0

cpcgmbh@cpeworldwide.com  
cpcworldwide.com

**COLDER PRODUCTS COMPANY LIMITED**  
LEVEL 19,  
TWO INTERNATIONAL FINANCE CENTRE  
8 FINANCE STREET, CENTRAL, HONG KONG

**PHONE:** +852 2987-5272  
**FAX:** +852-2987-2509

asiapacific@cpeworldwide.com  
cpeworldwide.com



**CPC WARRANTY STATEMENT:** CPC (Colder Products Company) warrants its products against defects in workmanship and materials for a period of 12 months from the date of sale by CPC to its initial customer (regardless of any subsequent sale of the products). This warranty is void if the product is misused, altered, tampered with or is installed or used in a manner that is inconsistent with CPC's written recommendations, specifications and/or instructions, or fails to perform due to normal wear and tear. CPC does not warrant the suitability of the product for any particular application. Determining product application suitability is solely the customer's responsibility. CPC is not liable for special, indirect, incidental, consequential or other damages including, but not limited to, loss, damage, personal injury, or any other expense directly or indirectly arising from the use of or inability to use its products either separately or in combination with other products. **ALL OTHER WARRANTIES EXPRESS OR IMPLIED, WHETHER ORAL, WRITTEN OR IN ANY OTHER FORM, INCLUDING BUT NOT LIMITED TO WARRANTIES OF MERCHANTABILITY OR FITNESS FOR A PARTICULAR PURPOSE, ARE EXPRESSLY EXCLUDED.** The sole and exclusive remedy under this warranty is limited, at the option of CPC, to replacement of the defective product or an account credit in the amount of the original selling price. All allegedly defective CPC products must be returned prepaid transportation to CPC, together with information describing the product's application and performance, unless otherwise authorized in writing by CPC.

**CPC PATENT STATEMENT:** CPC takes pride in its innovative quick disconnect coupling and fittings solutions, many of which have been awarded United States and international patents. CPC has a strong tradition of

leadership in the quick disconnect market, and aggressively pursues and protects its proprietary information and intellectual property. In cases where it is practical and has a benefit to its customers, CPC has licensed its proprietary technology. Please contact CPC to discuss your unique needs.

**CPC TRADEMARK STATEMENT:** AseptiQuik®, BottleQuik®, BreakAway®, ChemQuik®, DrumQuik®, FitQuik®, IdentiQuik®, Nu-Seal®, SnapQuik®, Steam-Thru®, Softube® are registered trademarks with the U.S. Patent & Trademark Office. All other trademarks or service marks are property of their respective owners. **WARNING:** Due to the wide variety of possible fluid media and operating conditions, unintended consequences may result from the use of this product, all of which are beyond the control of CPC. It is the user's responsibility to carefully determine and test for compatibility for use with their application. All such risks shall be assumed by the buyer.

**COPYRIGHT © 2020 COLDER PRODUCTS COMPANY.** All rights reserved. Colder Products Company, Colder Products and CPC are all registered trademarks with the US Patent & Trademark Office.

**WARNING:** Due to the wide variety of possible fluid media and operating conditions, unintended consequences may result from the use of this product, all of which are beyond the control of CPC. It is the user's responsibility to carefully determine and test for compatibility for use with their application. All such risks shall be assumed by the buyer.

CAT2020 4/17